

Mini Spider Cranes

281

- Total width 1.4m
- Max working radius 17.83m
- Diesel engine and optional mains electric
- Zero length increase with electric option
- Operator control of outrigger extension
- Intelligent voice warning system
- Radio remote control as standard
- Working area limitation
- Slew limitation (optional)
- Intelligent throttle activation for economy and ecology



URW-547 [4.0t x 2.5m]

The URW-547 offers extended reach, providing a maximum lifting height of 18.2 metres and a maximum lifting capacity of 4 tonnes as standard on the main boom.

The outrigger footprint remains the same as the URW-508, maintaining its compact dimensions. An option of additional length is given with a quickly installed searcher hook, with angles varying from 0° to 60° and a maximum capacity of 500kg.

Reference Code

MCU547

Remotes



Standard radio remote control



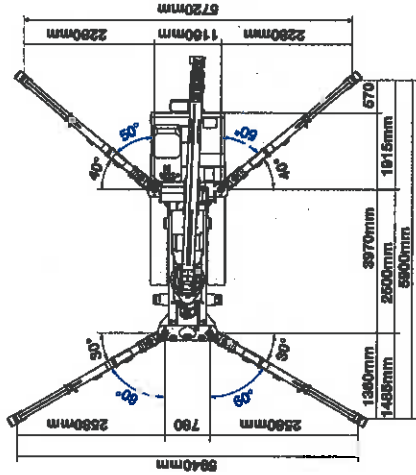
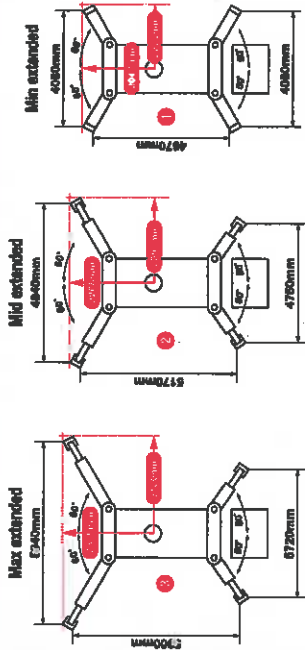
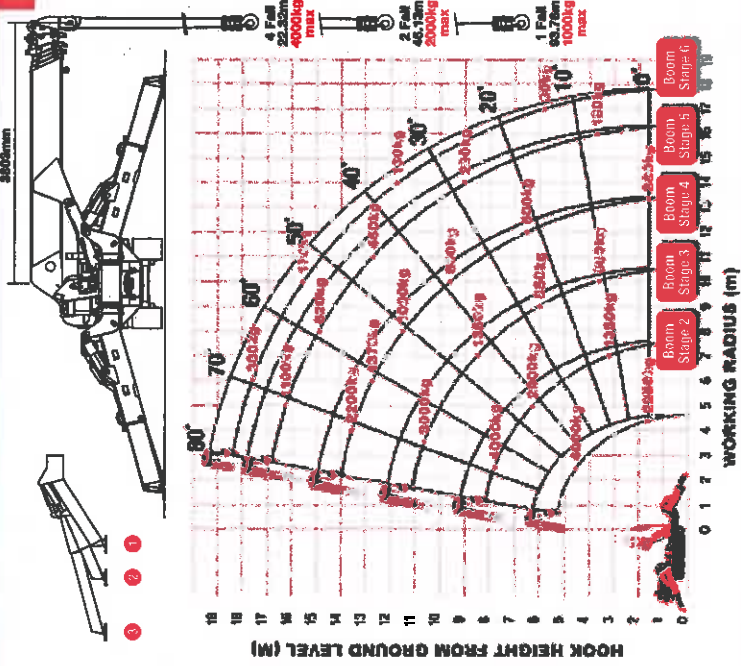
Optional radio remote control with digital feedback

Crane Specifications

Capacity:	4.0t x 2.5m
max:	17.83m
approx:	18.2m
max:	22.32m (4 fall), 48.18m (2 fall), 93.76m (1 fall)
folded:	4865mm (l) x 1400mm (w) x 1980mm (h)
unladen:	5010kg (5160kg with electric option)
Due to the many variables involved, point loadings are only available on request	
approx:	14m/min (with 5 layers and 4 falls)
boom length:	3.99 - 18.02m
telescoping speed:	14.03m/66 seconds
boom type:	7 section hydraulically telescoping boom, hexagonal box construction
approx:	0 - 80°/18.0 seconds
approx:	360° (continuous) 2.5 rpm
drive:	hydraulic 2-speed, stepless forward and reverse
travel speed:	0 - 3km/h
gradeability:	±(23°)
track ground length:	1750mm
track ground pressure:	47kPa (0.48kg/cm ²)
track width:	300mm
manufacturer:	Mitsubishi / Yanmar
fuel:	diesel (electric dual power option)
maximum output:	17.5kW (23.8PS) / 2100min rpm
starting method:	electric
tank capacity:	40 litres
power:	7.5kW
voltage:	400V AC 50/60Hz
computer controlled moment limiter (safe load indicator), radio remote control, overwinding alarm, computer controlled intelligent voice warning system, multi-function operation by radio remote control, intelligent throttle activation, automatic hook stop, overload warning alarms, overload warning lamps, working area limitation	

1 fall hook block, 2 fall hook block, mains electric dual power (400V), low marking tracks, slew limitation, 500kg maximum capacity small searcher hook, radio remote control with feedback display, data logging

URW-547 Spider Crane



SECOND STAGE EXTENDED 3.89 - 7.7M BOOM LENGTH

Working radius (m)	up to 2.5	2.7	3.0	3.5	4.0	4.5	5.0	6.0	6.3	7.0	7.25	7.51
Max-extended	kg	4,000	3,650	3,500	3,000	2,550	2,200	1,850	1,800	1,650	1,350	1,300
Mid-extended	kg	4,000	3,650	3,500	3,000	2,550	2,200	1,850	1,630	1,400	1,010	850
Min-extended	kg	4,000	3,650	3,500	3,000	2,550	2,100	1,640	1,320	1,080	750	620

THIRD STAGE EXTENDED 7.7 - 10.6M BOOM LENGTH

Working radius (m)	up to 3.5	4.0	5.0	6.0	7.0	8.0	10.0	10.20	10.47
Max-extended	kg	3,000	2,550	2,000	1,650	1,350	1,100	850	600
Mid-extended	kg	3,000	2,550	1,850	1,400	1,100	830	630	480
Min-extended	kg	3,000	2,550	1,650	1,150	840	620	460	350

FOURTH STAGE EXTENDED 10.68 - 13.57M BOOM LENGTH

Working radius (m)	up to 4.8	4.5	5.0	6.0	7.0	8.0	10.0	11.0	11.9	13.0	13.38
Max-extended	kg	2,200	1,900	1,700	1,370	1,150	1,000	900	660	500	390
Mid-extended	kg	2,200	1,800	1,600	1,300	1,050	860	700	550	450	260
Min-extended	kg	2,200	1,600	1,500	1,150	800	660	520	400	320	170

FIFTH STAGE EXTENDED 13.57 - 16.48M BOOM LENGTH

Working radius (m)	up to 5.9	5.5	6.0	7.0	8.0	10.0	11.0	12.0	13.0	14.0	15.0	16.29
Max-extended	kg	1,100	950	880	730	620	570	520	410	350	290	230
Mid-extended	kg	1,100	950	880	700	600	520	450	350	300	250	140
Min-extended	kg	1,100	950	850	700	500	420	380	340	290	180	100

SIXTH STAGE EXTENDED 16.48 - 18.02M BOOM LENGTH

Working radius (m)	up to 6.0	7.0	8.0	10.0	11.0	12.0	14.0	15.0	16.0	17.0	17.83	
Max-extended	kg	300	250	230	200	170	160	150	140	130	120	80
Mid-extended	kg	300	250	230	200	170	150	140	130	120	110	80
Min-extended	kg	300	250	230	200	170	160	150	140	130	120	80

Searcher Hook Small - 500kg



Stowed position



In operation

Lifting capacity up to 16.48m 500kg (boom stage 5)
over 16.48m 280kg (boom stage 6)
Length 800mm
Weight 20kg
Tilt angles 0°, 20°, 40°, 60°

Dimensions



* Please note: The URW-547 lifting capacity information is based on boom stages, not boom sections.