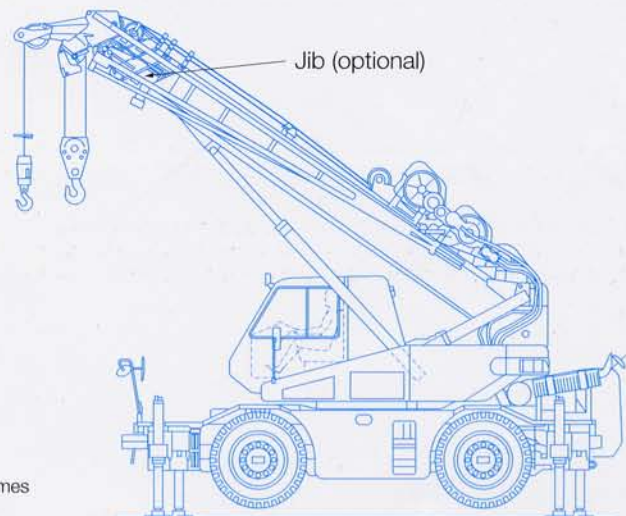
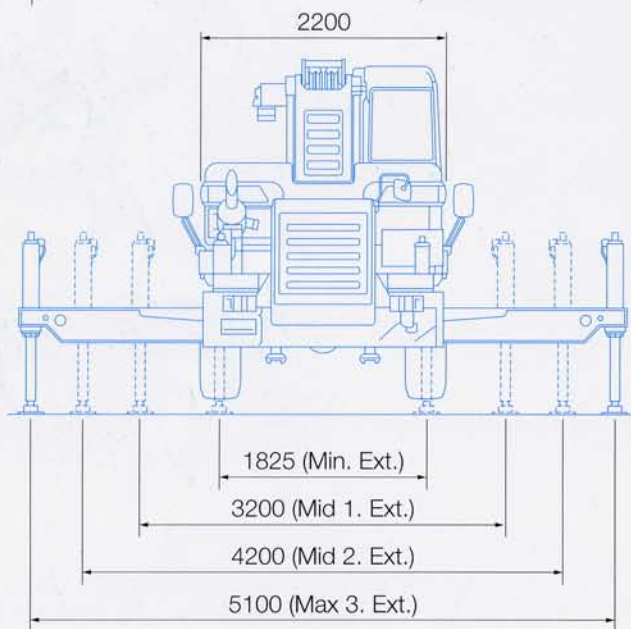
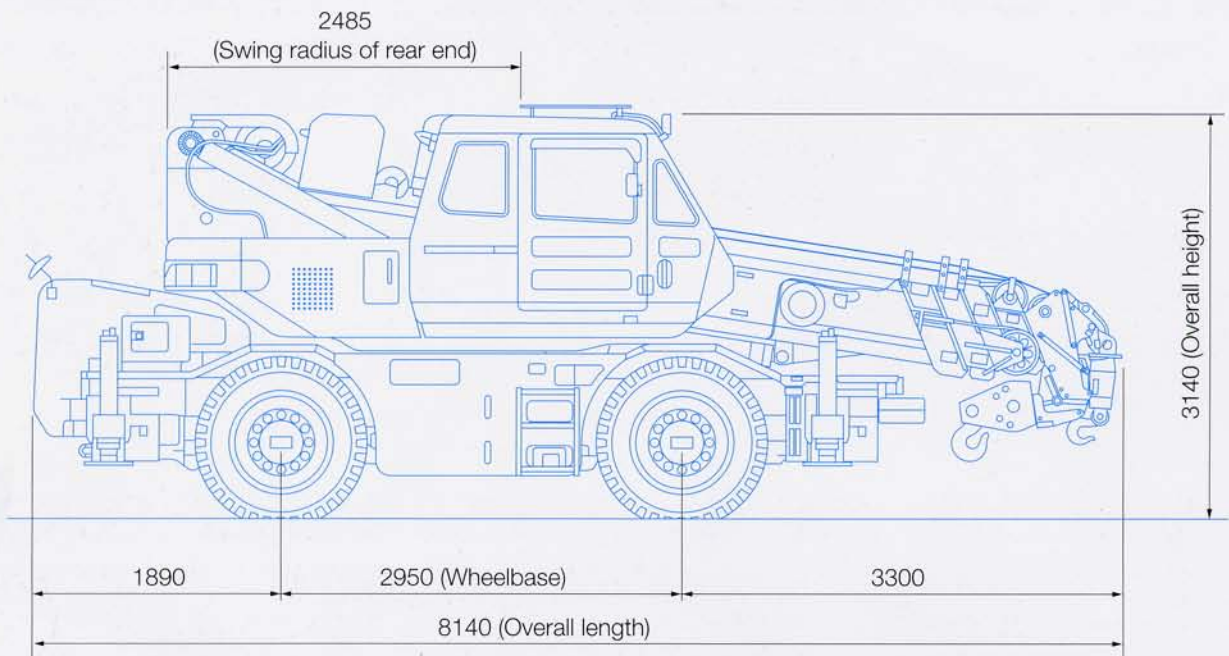


Dimensions



The data described here is for reference only. Since described values may sometimes be different from those of the actual machine, use this data for reference only.

Working range

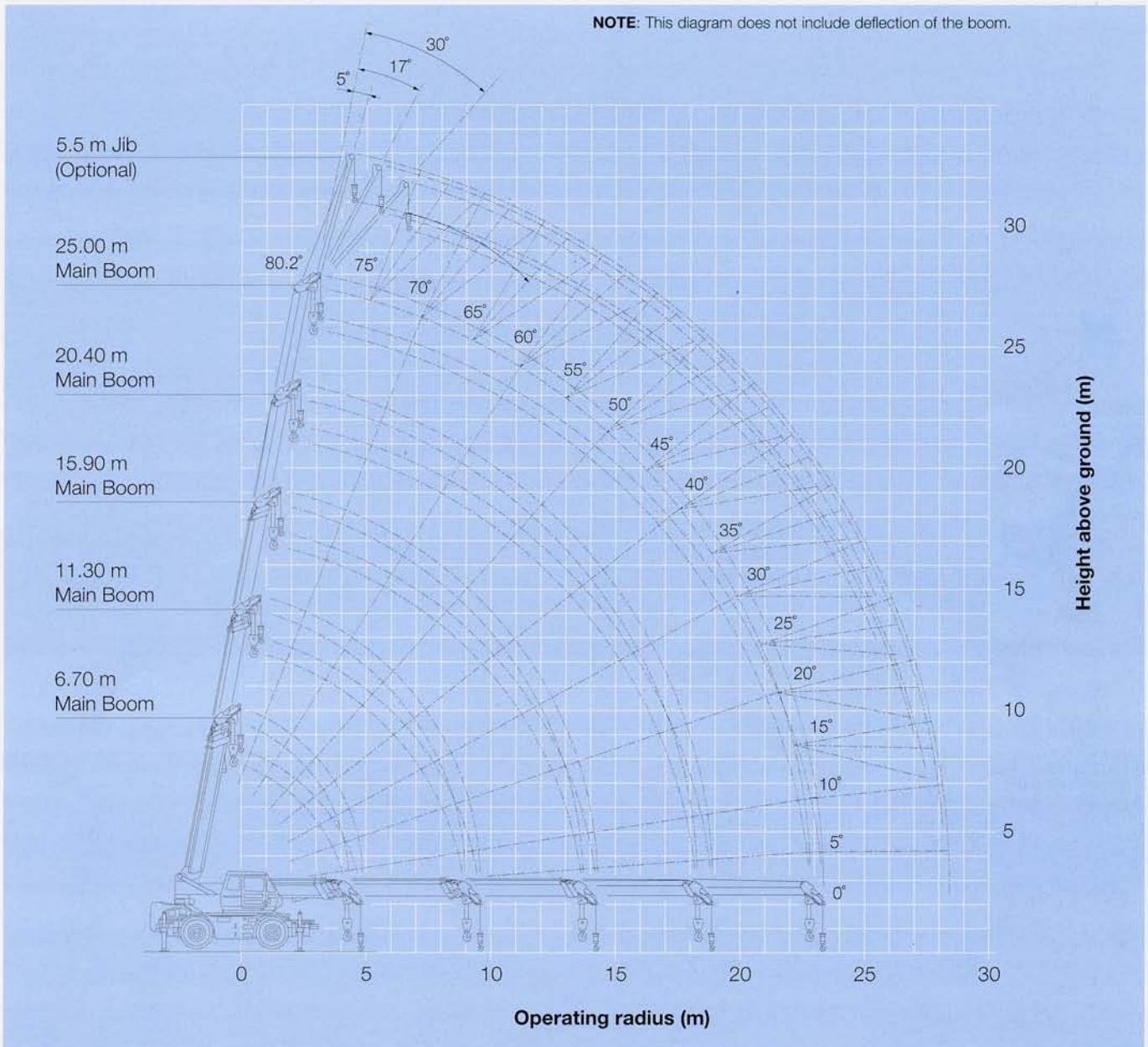
The diagram shows the relations between the operating radius and lifting height and the boom length and boom hoisting angle.

This diagram does not include the boom deflection. Since the actual operating radius is somewhat extended from that shown in this diagram due to deflection of the boom, be careful.

The operating radius is the horizontal distance from the centreline of rotation to a vertical line through the centreline of gravity of the load.

When estimating a lifting height above the ground, make allowance for sling wire length.

NOTE: This diagram does not include deflection of the boom.



Standard equipment

Safety device for crane

- Load moment indicator (with automatic cut out)
- Hook over hoist prevention
- Working area limit
- Outrigger length detector
- Swing alarm with flasher
- Function lock lever
- Safety and check monitor
- Hook latch for wire
- Hydraulic safety valve
- Boom telescope safety
- Boom elevating safety
- Hoist safety
- Free fall inter lock
- Outrigger safety

Safety device for carrier

- Emergency steering pump
- Rear steering auto lock
- Suspension lock
- Engine over run alarm
- Safety and check monitor

Others

- Air conditioning
- Outrigger box (570 x 510 x 60)
- Cool box
- Lunch box
- Magazine rack
- AM radio

Rated crane loads

Boom rated loads (tonne) with outriggers used Unit: tonne

Boom length (m)	Outriggers Max. (5.1 m) Ext. (360)					Outriggers Mid. (4.2 m) Ext. (360)				
	6.7	11.3	15.9	20.4	25.0	6.7	11.3	15.9	20.4	25.0
Operating radius (m)										
2.5	20.00	12.00	9.00	7.00		20.00	12.00	9.00	7.00	
3.0	16.00	12.00	9.00	7.00		16.00	12.00	9.00	7.00	
3.5	14.00	12.00	9.00	7.00	5.00	14.00	12.00	9.00	7.00	5.00
4.0	12.50	12.00	9.00	7.00	5.00	12.50	12.00	9.00	7.00	5.00
4.5	11.50	11.10	8.50	7.00	5.00	11.20	10.55	8.30	7.00	5.00
5.0		10.25	8.05	7.00	5.00		9.15	7.65	7.00	5.00
5.5		9.40	7.60	6.60	4.75		7.75	6.95	6.55	4.75
6.0		8.55	7.15	6.20	4.55		6.55	6.30	6.10	4.55
6.5		7.70	6.70	5.80	4.35		5.65	5.60	5.70	4.35
7.0		6.85	6.20	5.50	4.15		4.90	4.95	5.25	4.15
7.5		6.00	5.70	5.15	3.90		4.30	4.40	4.70	3.95
8.0		5.30	5.20	4.85	3.70		3.80	3.85	4.20	3.70
9.0		4.25	4.25	4.30	3.30		3.05	3.10	3.40	3.30
10.0			3.50	3.75	3.00			2.50	2.80	2.90
11.0			2.90	3.20	2.70			2.05	2.35	2.50
12.0			2.45	2.75	2.50			1.70	1.95	2.15
13.0			2.05	2.35	2.30			1.40	1.65	1.85
14.0			1.85 (13.6 m)	2.05	2.10			1.25 (13.6 m)	1.45	1.60
15.0				1.75	1.90				1.20	1.40
16.0				1.50	1.70				1.00	1.20
17.0				1.32	1.50				0.80	1.00
18.0				1.15	1.30				0.65	0.85
19.0				1.15	1.15				0.60	0.70
20.0				(18.1 m)					(18.1 m)	
21.0					1.00					0.60
22.0					0.90					0.50
23.0					0.80					0.40
24.0					0.74 (22.7 m)					0.35 (22.7 m)
Min. boom angle	0°	0°	0°	0°	0°	0°	0°	0°	0°	0°

Boom length (m)	Outriggers Mid. (3.2 m) Ext. (360)					Outriggers Min. Ext. (360)				
	6.7	11.3	15.9	20.4	25.0	6.7	11.3	15.9	20.4	25.0
Operating radius (m)										
2.5	16.00	12.00	9.00	7.00		7.75	7.80	7.80	7.00	
3.0	13.00	12.00	9.00	7.00		5.55	5.60	5.60	6.10	
3.5	10.00	10.00	9.00	7.00	5.00	4.20	4.30	4.25	4.70	4.70
4.0	7.70	7.80	7.20	7.00	5.00	3.30	3.40	3.35	3.70	3.80
4.5	5.40	6.20	6.10	6.45	5.00	2.65	2.70	2.70	3.00	3.10
5.0		5.10	5.00	5.30	5.00		2.20	2.25	2.55	2.65
5.5		4.30	4.20	4.50	4.70		1.80	1.85	2.10	2.25
6.0		3.60	3.60	3.85	4.05		1.50	1.55	1.80	1.90
6.5		3.10	3.10	3.35	3.55		1.25	1.30	1.55	1.65
7.0		2.70	2.70	2.95	3.10		1.05	1.05	1.30	1.45
7.5		2.40	2.35	2.60	2.80		0.85	0.85	1.15	1.30
8.0		2.10	2.05	2.30	2.50		0.70	0.70	0.95	1.10
9.0		1.65	1.60	1.85	2.00			0.45	0.70	0.85
10.0			1.25	1.50	1.65			0.30 (9.5 m)	0.50	0.65
11.0			1.00	1.20	1.35				0.29	0.50
12.0			0.80	1.00	1.15					0.30
13.0			0.63	0.80	0.95					
14.0			0.50 (13.6 m)	0.65	0.80					
15.0				0.55	0.65					
16.0				0.40	0.55					
17.0					0.45					
18.0					0.35					
19.0										
20.0										
21.0										
22.0										
23.0										
24.0										
Min. boom angle	0°	0°	0°	29°	37°	0°	0°	45°	52°	57°

Rated crane loads

Boom rated loads (tonne) without use of outriggers

Unit: tonne

Boom length (m)	Stationary lifting							
	6.7		11.3		15.9		20.4	
Operating radius (m)	Front	360	Front	360	Front	360	Front	360
3.0	9.50	4.40	9.50	4.50	8.50	4.65	6.50	5.00
3.5	8.30	3.50	8.30	3.65	8.30	3.70	6.50	4.00
4.0	7.30	2.80	7.30	2.90	7.30	3.00	6.50	3.30
4.5	6.60	2.20	6.40	2.40	6.60	2.45	6.50	2.75
5.0			5.45	1.90	5.65	2.00	5.35	2.30
5.5			4.60	1.60	4.70	1.65	4.45	2.00
6.0			3.95	1.30	4.00	1.35	3.90	1.70
6.5			3.40	1.05	3.50	1.10	3.60	1.40
7.0			3.00	0.85	3.00	0.90	3.25	1.20
7.5			2.60	0.65	2.70	0.70	2.95	1.00
8.0			2.30	0.50	2.30	0.50	2.65	0.80
9.0			1.80		1.85		2.15	0.55
10.0					1.50		1.75	0.35
11.0					1.20		1.45	
12.0					0.95		1.20	
13.0					0.75		1.00	
14.0							0.80	
15.0							0.65	
16.0							0.50	
17.0							0.35	
Min. boom angle	0°	0°	11°	29°	19°	48°	22°	55°

Boom length (m)	Pick and carry (2 km/h and less)							
	6.7		11.3		15.9		20.4	
Operating radius (m)	Front	360	Front	360	Front	360	Front	360
3.0	7.00	4.35	7.20	4.40	6.50	4.45	6.00	3.00
3.5	6.15	3.30	6.30	3.35	5.75	3.60	6.00	3.00
4.0	5.40	2.60	5.60	2.65	5.00	2.85	5.60	3.00
4.5	4.75	2.10	4.70	2.10	4.15	2.30	4.80	2.50
5.0			3.90	1.75	3.50	1.90	4.10	2.10
5.5			3.30	1.45	3.00	1.55	3.50	1.80
6.0			2.80	1.20	2.65	1.30	3.00	1.50
6.5			2.40	1.00	2.30	1.10	2.60	1.30
7.0			2.10	0.80	2.00	0.90	2.30	1.10
7.5			1.85	0.65	1.80	0.70	2.05	0.90
8.0			1.60	0.50	1.65	0.50	1.80	0.77
9.0			1.30		1.30		1.50	0.50
10.0					1.00		1.20	0.30
11.0					0.70		1.00	
12.0					0.55		0.80	
13.0					0.40		0.65	
14.0							0.55	
15.0							0.45	
16.0							0.35	
17.0							0.30	
Min. boom angle	0°	0°	11°	29°	19°	48°	22°	55°

Jib and boom rated loads (tonne) with outriggers used

Jib angle	Outriggers Max. Extended – Extended (300)			Outriggers Mid. (4.2 m) – Extended (300)			Outriggers Mid. (3.2 m) – Extended (300)		
	5°	17°	30°	5°	17°	30°	5°	17°	30°
80°	2.00	1.50	1.20	2.00	1.50	1.20	2.00	1.50	1.20
75°	2.00	1.50	1.20	2.00	1.50	1.20	2.00	1.50	1.20
70°	2.00	1.50	1.20	2.00	1.50	1.20	2.00	1.50	1.20
65°	1.62	1.25	1.12	1.60	1.25	1.06	1.50	1.15	1.00
60°	1.35	1.09	1.02	1.32	1.09	0.94	0.98	0.84	0.78
55°	1.15	0.98	0.91	1.07	0.93	0.82	0.65	0.58	0.56
50°	1.00	0.87	0.82	0.85	0.78	0.69	0.43	0.40	0.37
45°	0.87	0.78	0.75	0.65	0.63	0.57	0.22		
40°	0.75	0.70	0.68	0.50	0.49	0.45			
35°	0.65	0.62	0.60	0.35	0.35	0.32			
30°	0.56	0.54	0.52	0.25					
25°	0.48	0.46							
20°	0.41	0.38							
15°	0.35								
10°	0.30								
5°	0.25								
Max. boom angle	5°	20°	30°	30°	35°	35°	45°	50°	50°